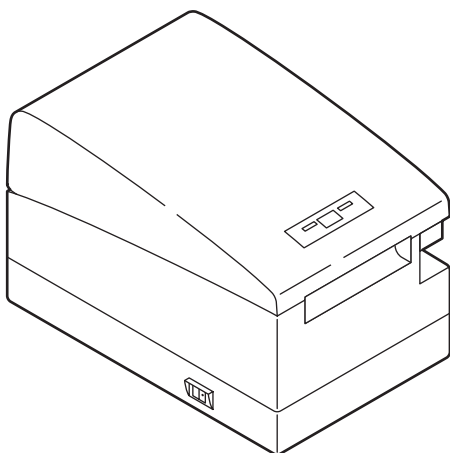


Uniwell

LINE THERMAL PRINTER MODEL CT-S2000/CT-S2000DC User's Manual



Uniwell Systems (UK) Ltd.

THE TABLE OF CONTENTS

1. GENERAL OUTLINE	9
1.1 Features	9
1.2 Unpacking	10
1.3 Model Classification	10
1.4 Basic Specifications	11
2. EXPLANATION OF PRINTER PARTS	12
2.1 Printer Appearance	12
2.2 Printer Cover Inside	14
2.3 Other Built-in Functions	14
3. PREPARATION	15
3.1 Connecting the AC Power Cord	15
3.2 Connecting Interface Cables	16
3.3 Connecting the Cash Drawer	17
3.4 Precautions in Installing the Printer	18
3.5 Partition for Paper Roll	18
3.6 Setting DIP Switch	19
3.7 Adjusting the Paper Near-end Sensor	20
4. MAINTENANCE AND TROUBLESHOOTING	21
4.1 Setting/Replacing the Paper Roll	21
4.2 Removing Jammed Paper	21
4.3 Cleaning the Print Head	22
4.4 Self-printing	23
4.5 Hexadecimal Dump Printing	23
4.6 Error Indication	24
5. OTHER	24
5.1 External Views and Dimensions	24
5.2 Printing Paper	25
5.3 Manual Setting of Memory Switch	26

This is a “Table of Contents preview” for quality assurance

The full manual can be purchased from our store:

<https://the-checkout-tech.com/manuals/Uniwell/CT-S2000 CT-S2000DC user manual.htm>

And our free Online Keysheet maker:

<https://the-checkout-tech.com/Cash-Register-Keysheet-Creator/>

[HTTPS://THE-CHECKOUT-TECH.COM](https://THE-CHECKOUT-TECH.COM)